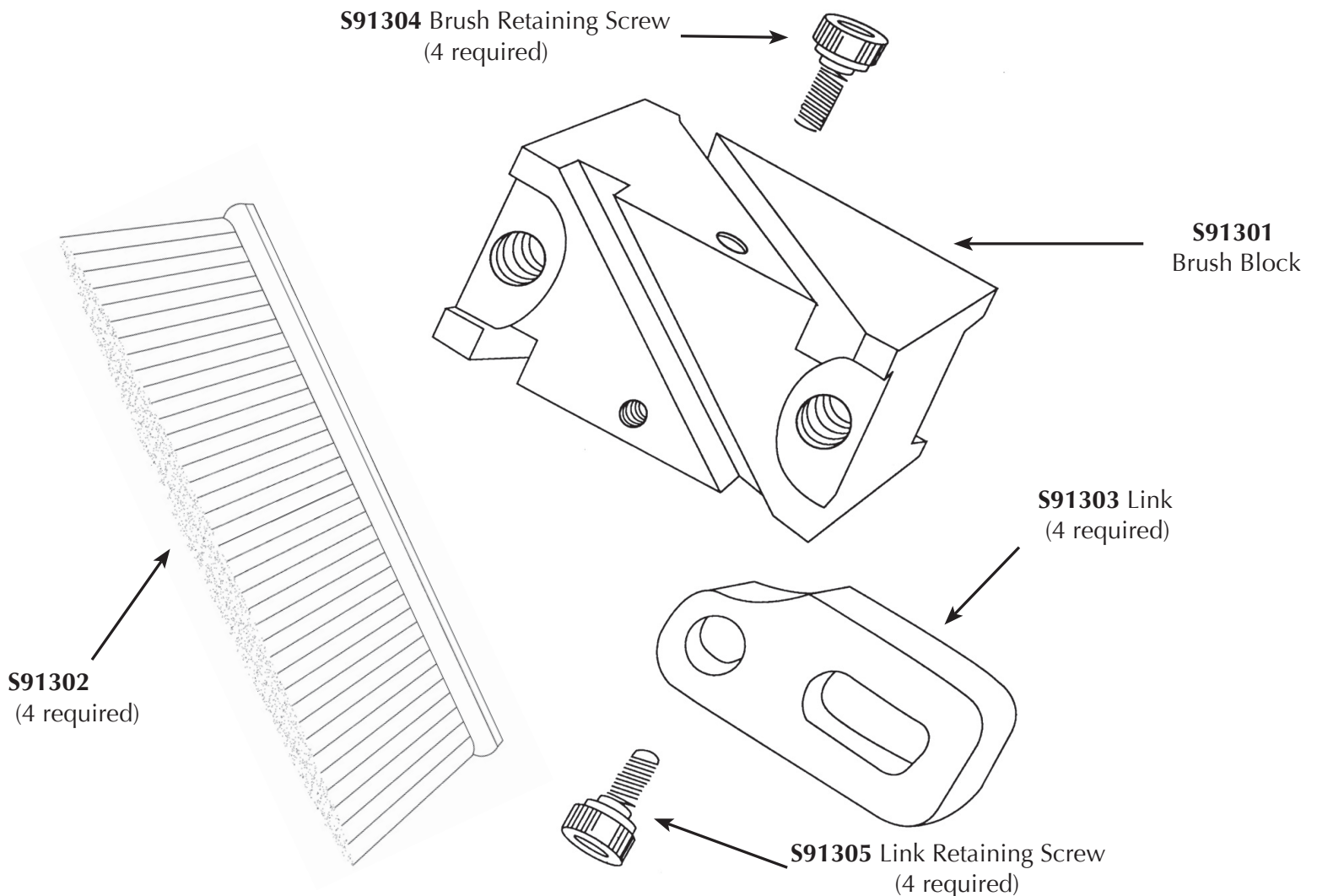




# CHANNEL BRUSH CLEANER

*digilube systems, inc.* #S91300

## BRUSH SET-UP PROCEDURE



**BRUSH SHOULD BE SET-UP BY ALIGNING SCORE MARKS ON BRUSH WITH  
EDGES OF BRUSH CAVITY**

[www.digilube.com](http://www.digilube.com)

216 East Mill St. Springboro, OH 45066 • (Office) 937-748-2209 • (Fax) 937-748-0597