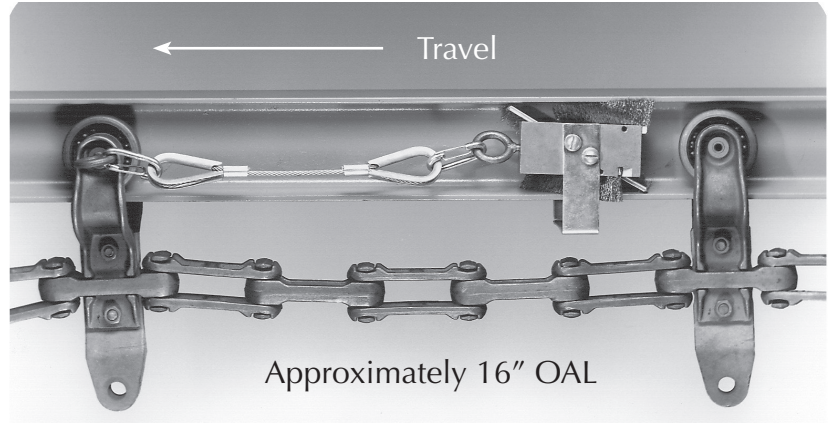




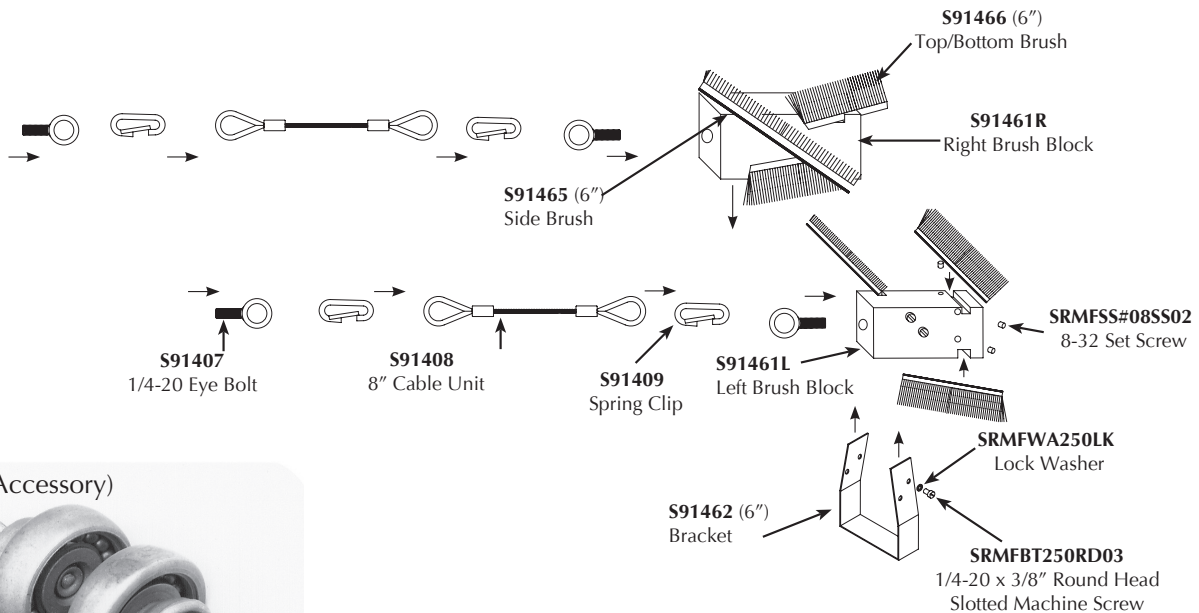
digilube systems

I-BEAM BRUSH CLEANER

#S91460
6"



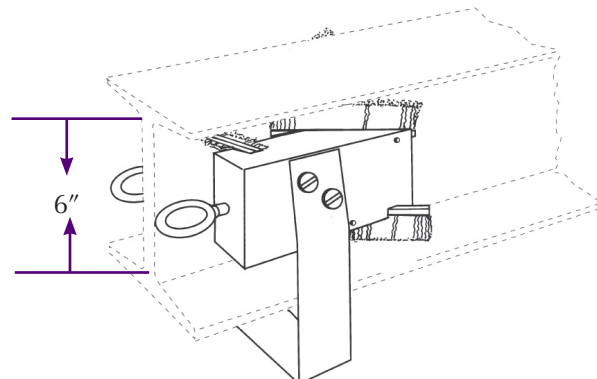
FOR BEST RESULTS, INSTALL ONE BEAM SWEEP ASSEMBLY EVERY 200 FEET



(Available Accessory)



S91416 6" Trolley with 10" drop
S91417 6" Trolley with 10.5" drop
(Available Options)



www.digilube.com

216 East Mill St. Springboro, OH 45066 • (Office) 937-748-2209 • (Fax) 937-748-0597