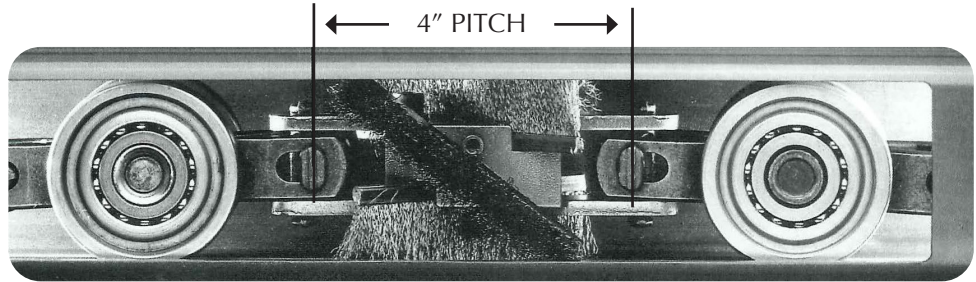




ENCLOSED TRACK BRUSH CLEANER

digilube systems

#S91300



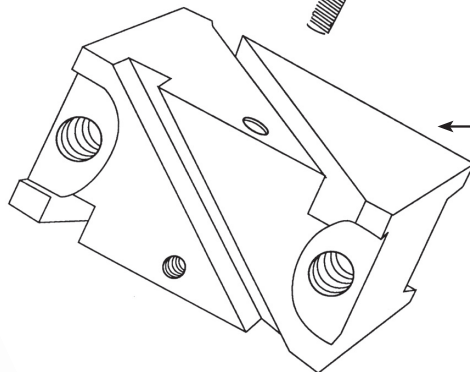
FITS WEBB-UNIBILT 20200

For best results, install #S91300 Enclosed Track Brush every 75'-100' of chain

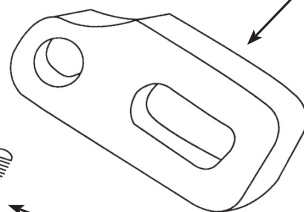
S91304 Brush Retaining Screw
(4 required)



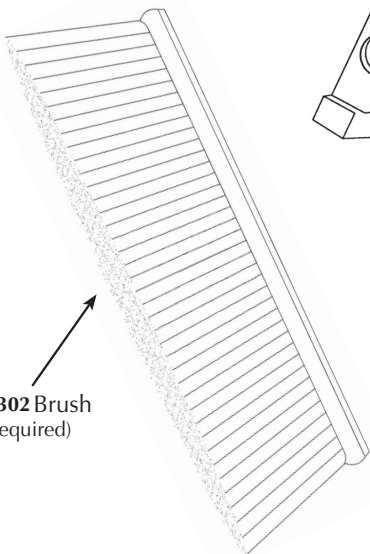
S91301
Brush Block



S91303 Link
(4 required)



S91302 Brush
(4 required)



S91305 Link Retaining Screw
(4 required)

