



# CHANNEL BRUSH CLEANER

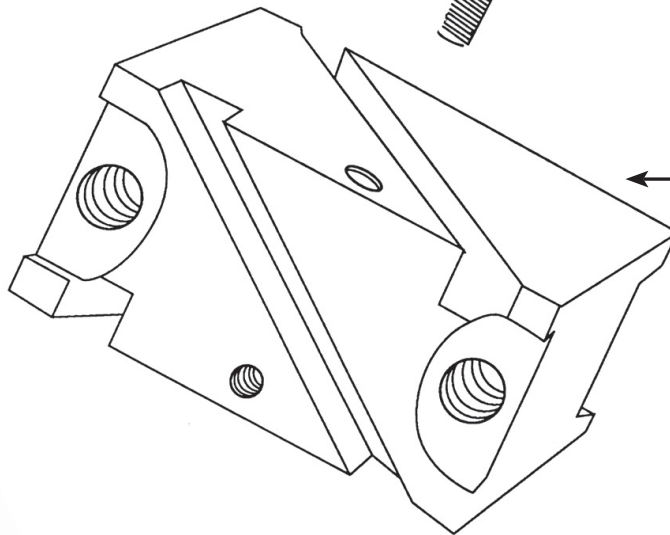
*digilube systems, inc.* #S91300

## BRUSH SET-UP PROCEDURE

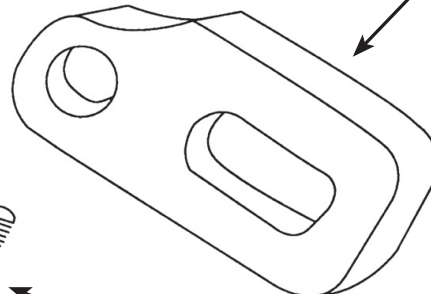
**S91304** Brush Retaining Screw  
(4 required)



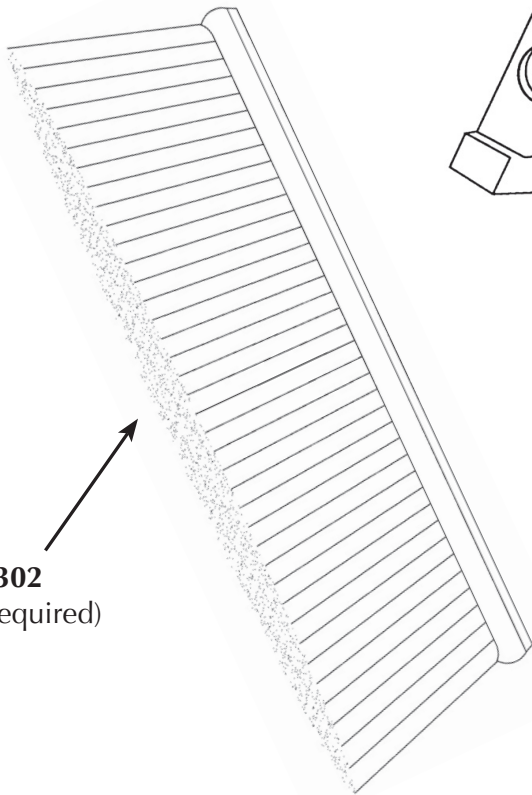
**S91301**  
Brush Block



**S91303** Link  
(4 required)



**S91302**  
(4 required)



**S91305** Link Retaining Screw  
(4 required)



**BRUSH SHOULD BE SET-UP BY ALIGNING SCORE MARKS ON BRUSH WITH  
EDGES OF BRUSH CAVITY**